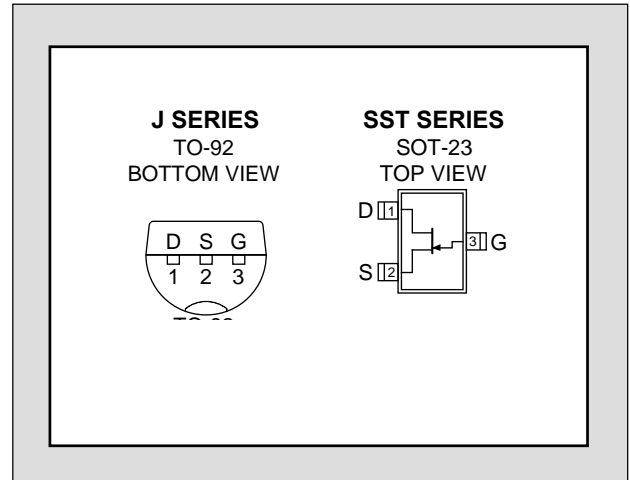


J/SST111 SERIES

SINGLE N-CHANNEL JFET

FEATURES	
DIRECT REPLACEMENT FOR SILICONIX J/SST111 SERIES	
LOW GATE LEAKAGE CURRENT	5pA
FAST SWITCHING	4ns
ABSOLUTE MAXIMUM RATINGS¹ @ 25 °C (unless otherwise stated)	
Maximum Temperatures	
Storage Temperature	-55 to 150°C
Junction Operating Temperature	-55 to 135°C
Maximum Power Dissipation	
Continuous Power Dissipation (J)	360mW
Continuous Power Dissipation (SST)	350mW
Maximum Currents	
Gate Current	50mA
Maximum Voltages	
Gate to Drain	-35V
Gate to Source	-35V



STATIC ELECTRICAL CHARACTERISTICS @25 °C (unless otherwise stated)

SYM.	CHARACTERISTIC	TYP	J/SST111		J/SST112		J/SST113		UNIT	CONDITIONS
			MIN	MAX	MIN	MAX	MIN	MAX		
BV_{GSS}	Gate to Source Breakdown Voltage		-35		-35		-35		V	$I_G = -1\mu A, V_{DS} = 0V$
$V_{GS(off)}$	Gate to Source Cutoff Voltage		-3	-10	-1	-5		-3		$V_{DS} = 5V, I_D = 1\mu A$
$V_{GS(F)}$	Gate to Source Forward Voltage	0.7								$I_G = 1mA, V_{DS} = 0V$
I_{DSS}	Drain to Source Saturation Current ²		20		5		2		mA	$V_{DS} = 15V, V_{GS} = 0V$
I_{GSS}	Gate Leakage Current	-0.005		-1		-1		-1	nA	$V_{GS} = -15V, V_{DS} = 0V$
I_G	Gate Operating Current	-5							pA	$V_{DG} = 15V, I_D = 10mA$
$I_{D(off)}$	Drain Cutoff Current	0.005		1		1		1	nA	$V_{DS} = 5V, V_{GS} = -10V$
$r_{DS(on)}$	Drain to Source On Resistance			30		50		100	Ω	$I_G = 1mA, V_{DS} = 0V$

DYNAMIC ELECTRICAL CHARACTERISTICS @25 °C (unless otherwise stated)

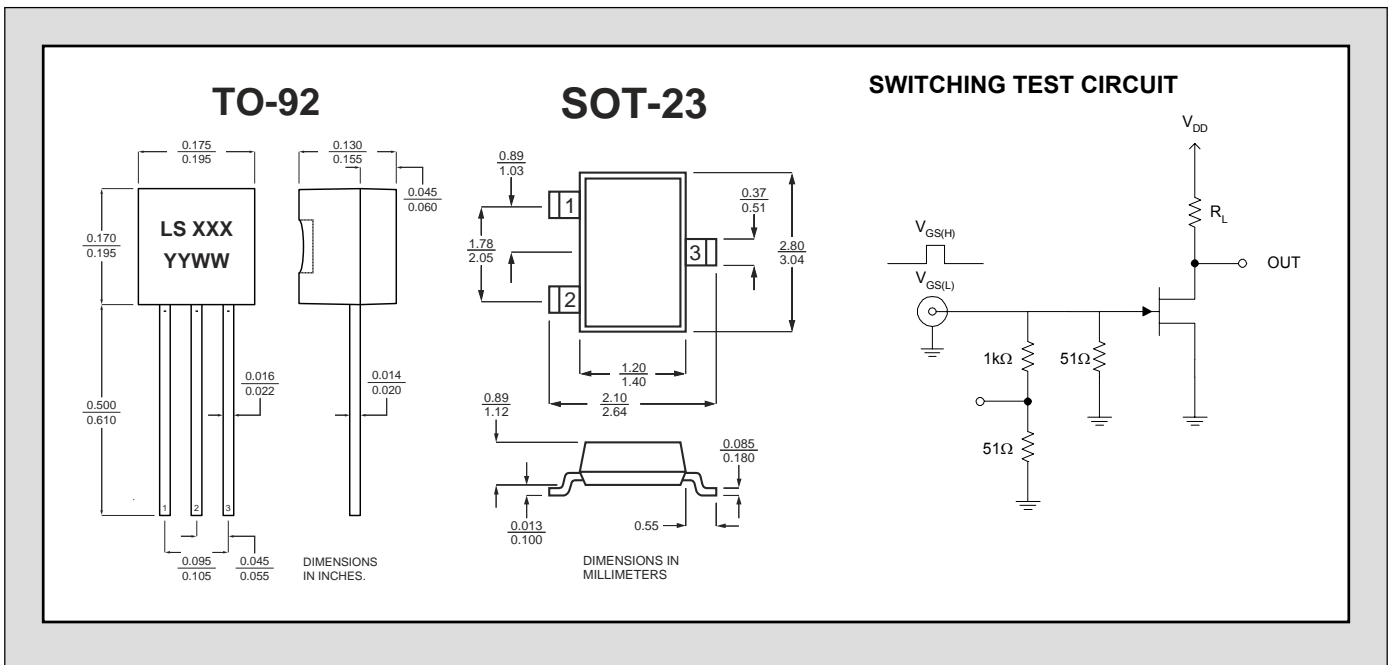
SYM.	CHARACTERISTIC	TYP	J/SST111		J/SST112		J/SST113		UNIT	CONDITIONS
			MIN	MAX	MIN	MAX	MIN	MAX		
g_{fs}	Forward Transconductance	6							mS	$V_{DS} = 20V, I_D = 1mA$ $f = 1kHz$
g_{os}	Output Conductance	25							μS	
$r_{ds(on)}$	Drain to Source On Resistance			30		50		100	Ω	$V_{GS} = 0V, I_D = 0mA$ $f = 1kHz$
C_{iss}	Input Capacitance	7		12		12		12	pF	$V_{DS} = 0V, V_{GS} = -10V$ $f = 1MHz$
C_{rss}	Reverse Transfer Capacitance	3		5		5		5		
e_n	Equivalent Noise Voltage	3							nV/ \sqrt{Hz}	$V_{DG} = 10V, I_D = 1mA$ $f = 1 kHz$

SWITCHING CHARACTERISTICS

SYM.	CHARACTERISTIC	TYP	UNIT	CONDITIONS
$t_{d(on)}$	Turn On Time	2	ns	$V_{DD} = 10V$ $V_{GS(H)} = 0V$
t_r		2		
$t_{d(off)}$	Turn Off Time	6		
t_f		15		

SWITCHING CIRCUIT CHARACTERISTICS

SYM.	J/SST111	J/SST112	J/SST113
$V_{GS(L)}$	-12V	-7V	-5V
R_L	800 Ω	1600 Ω	3200 Ω
$I_{D(on)}$	12mA	6mA	3mA



NOTES

1. Absolute maximum ratings are limiting values above which serviceability may be impaired.
2. Pulse test: $PW \leq 300\mu s$, Duty Cycle $\leq 3\%$

Information furnished by Linear Integrated Systems is believed to be accurate and reliable. However, no responsibility is assumed for its use; nor for any infringement of patents or other rights of third parties which may result from its use. No license is granted by implication or otherwise under any patent or patent rights of Linear Integrated Systems.